



*... our technology  
helps the  
environment*

60 t pressing force  
at a minimal height

# 60 S

The DIXI 60 S model series with its minimal height of 2.17 m and a pressing force of 60 t makes the press the ideal partner for all volume-reducing processes. So much capacity in such a compact form is unprecedented.

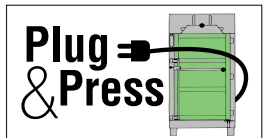
The DIXI 60 S with a pressing force of 60 t achieves bale weights of up to 500 kg. Re-pressing of the bale in the disposal chain is unnecessary.

This makes the pressed bales particularly interesting for the marketing of recyclable fractions. The pressing of foil and cardboard or other compressible materials makes these machines economical and reliable partners in the disposal chain.

The DIXI 60 S model series is perfectly suited for the pressing of foil and cardboard. Through the microprocessor control unit with clearly arranged LCD display, the system can be quickly and easily changed-over from cardboard to foil.



... developed and  
manufactured  
in Germany





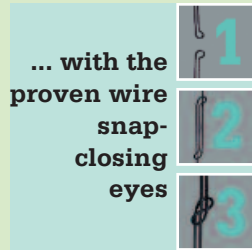
Even wooden crates and similar items are no problem for the DIXI 60 S



Easy binding with wire\*\*



The hydraulic door opener



... with the proven wire snap-closing eyes

The special »Foil« setting prevents expansion of expansive materials, such as foil. Through the large automatic opening, which at the end of the press cycle automatically reopens, even large pieces of cardboard can be easily introduced into the bale presses. The start automation when closing the filling flap facilitates operation of the DIXI 60 S. The hydraulic bale ejector also provides the necessary convenience when ejecting a finished bale. The DIXI 60 S comes with a hydraulic door opener as standard equipment. This offers great advantages, when pressing material with a particularly strong tendency to expand, such as foil; the door is prevented from springing open.

### Special equipment

- Connection for dust extraction



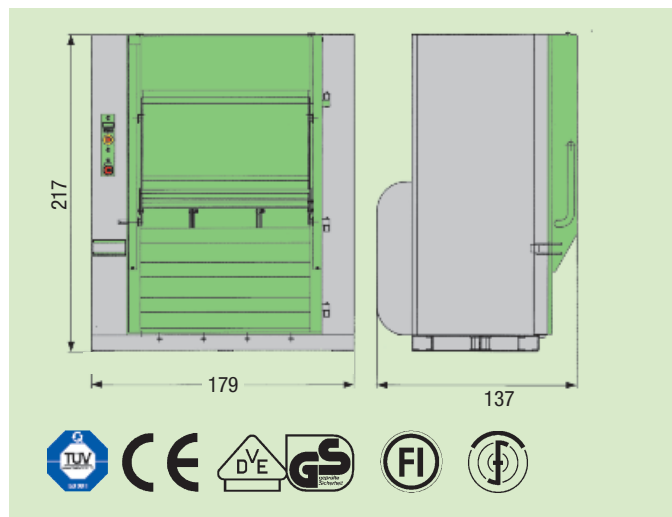
### Equipment features

- Microprocessor control.
- Low-maintenance.
- Multilingual, clearly arranged LCD display. All work functions are displayed.
- Minimal install height of only 217 cm – no installation effort for set-up on site.
- Easy filling through automatic opening of the filling flap.
- A pressure change-over from »paper materials« to »foil material« can be entered.
- Automatic start function when closing the filling flap – fast process sequence, automatic return stroke.
- Adjustable pressing time: The pressed material can be kept under pressure.
- Easy binding of the bale with binding wire\*\*
- Complete hydraulic bale ejection.
- Generously dimensioned hydraulic system: High pressing force at low hydraulic pressure and low drive power.

### Technical data

DIXI model		60 S
Motor	kW	7.5
Connected load	V/Hz	400 / 50
Pressing force	max. kN	600
Cycle time	s	36
Pressing time	s	16
Width	cm	189
Depth	cm	140
Height	cm	217
Weight	kg	2430
<b>Toss-in opening</b>		
W x H	cm	116 x 55
Height above ground	cm	118
<b>Ejected bale</b>		
W x H x D	approx. cm	120 x 80 x 110
Bale weight*	kg	340 – 500

\* Depends on the pressed material \*\* Optionally with strap



Press-Systems for the volume reduction of recycling material

Maschinenfabrik Bermatingen GmbH & Co. KG · Germany  
 Kesselbachstr. 2 · 88697 Bermatingen · Tel. +49 (0) 75 44 95 06-0  
 service@DIXI-Ballenpressen.de · www.baler.tv