



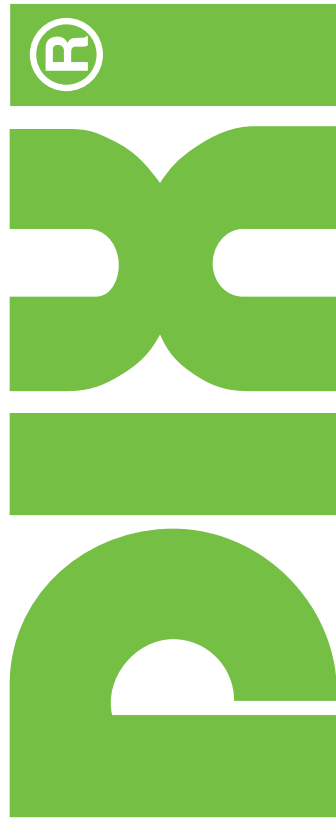
*... our technology
helps the
environment*

Even for the heaviest
steel-ribbed drums

25 FP

Even for the heaviest steel-ribbed drums –
the profitability of the drum press DIXI 25 FP is underscored.

Through the closed splash-guard cladding with large inspection window,
this drum press offers an optimal safety concept. The hydraulic unit
and the electric control system save space and are integrated
in the machine stand for protection against external damage. The environmentally-
conscious mode of operation is demonstrated
through the liqui
collection device.

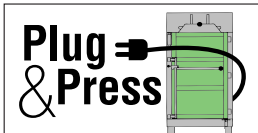


 ... developed and
manufactured
in Germany



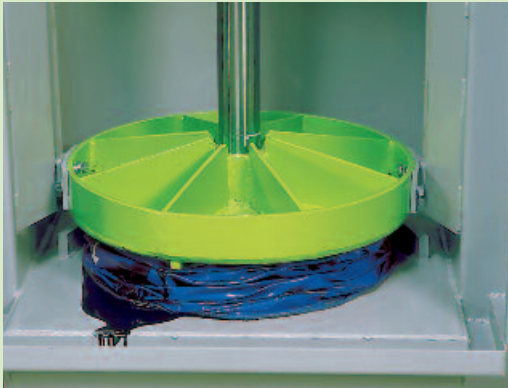
The DIXI-Bale

reduce & win





Large press plunger: With vent spikes and two-sided guide



Environmentally effective: Collection device for residual liquids



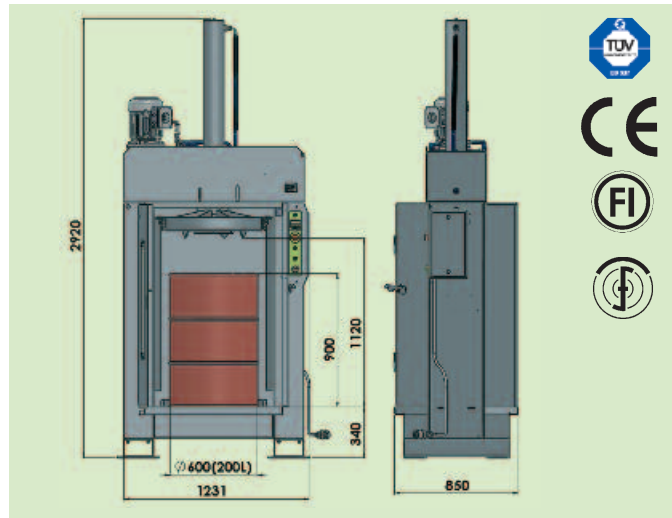
Equipment features

- Energy saving, quiet 2-stage hydraulics with automatic limit shutdown.
- Automatic pressing procedure: Put drum in, activate the start button and then take out the compressed drum.
- Liquid collection fixture for residual liquids – can be connected to an in-plant disposal network.
- Ventilation spikes punch holes in the drum surface for venting.
- Closed splash-guard cladding with inspection window, for complete protection of the operator.
- Hard-chrome plated piston rod.
- Electrical and hydraulic overload safeguard.
- Stable steel-weld construction in closed design – maintenance-free.

Technical data

DIXI model		25 FP
Motor	kW	5,5
Connected load	V/Hz	400 / 50
Pressing force	max. kN	250
Cycle time	s	32 / per barrel
Pressing time	s	14 / per barrel
Max. size of barrel	cm	Ø 60 x 112
Height from floor	cm	34
Width	cm	128
Depth	cm	85
Height*	cm	292
Weight	kg	800

* Transport height 240 cm



DIXI®

Press-Systems for
the volume reduction
of recycling material

Maschinenfabrik Bermatingen GmbH & Co. KG · Germany
Kesselbachstr. 2 · 88697 Bermatingen · Tel. +49 (0) 75 44 95 06-0
service@DIXI-Ballenpressen.de · www.baler.tv