



*...our technology
helps the
environment*

...the hydraulic
vertical high-
capacity presses

25/30 S

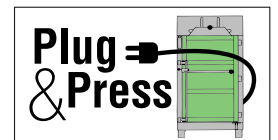
The DIXI 25 S / 30 S model series with 25 or 30 tons of pressing force is the entry to the pro class and enables the pressing of bales weighing up to 360 kg.

The pressing of foil and cardboard or other compressible materials makes these machines an economical and reliable partner in the disposal chain.

The DIXI 25 S / 30 S model series is perfectly suited for the pressing of foil and cardboard. Through the microprocessor control unit with clearly arranged LCD display, the system can be quickly and easily changed-over from cardboard to foil. The special »Foil« setting prevents expansion of expansive materials, such as foil.



... developed and
manufactured
in Germany





The clearly arranged operator panel

Thanks to the very large fill opening even large pieces of cardboard can be introduced into the baling press. The start automation when closing the filling opening facilitates operation of the DIXI 25 S / 30 S model series. The hydraulic bale ejector ensures the necessary convenience when ejecting the heavy, pressed bales that weigh up to 360 kg.

Special equipment

- Connection for dust extraction
- Hydraulic door opener
- Double flap



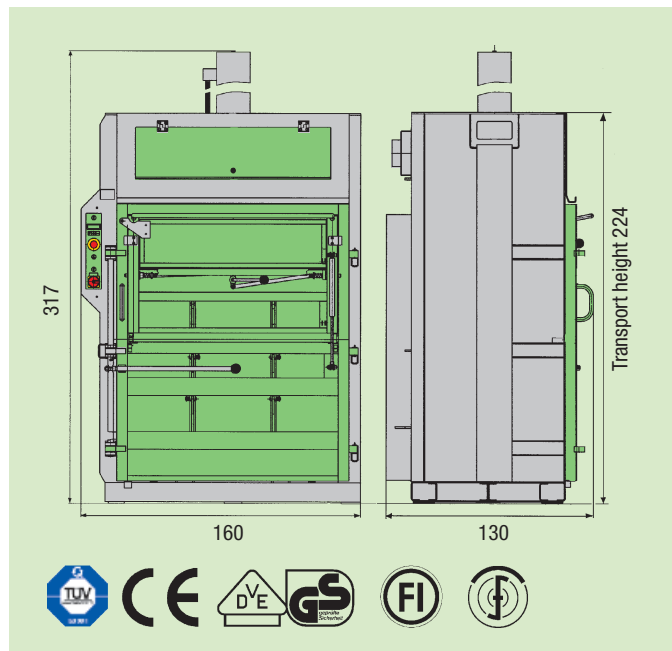
Equipment features

- Microprocessor control.
- Low-maintenance.
- Multilingual, clearly arranged LCD display.
- The »bale size« and a pressure change from »paper materials« to »foil material« can be entered.
- Automatic start function when closing the filling flap – fast process sequence, automatic return stroke.
- Adjustable pressing time: The pressed material can be kept under pressure.
- Easy binding of the bale and hydraulic complete ejection.
- Two-stage hydraulics of the control block guarantee a fast press cycle.
- Generously dimensioned hydraulic system: High pressing force at low hydraulic pressure and low drive power.

Technical data

DIXI model		25 S	30 S
Motor	kW	5.5	7.5
Connected load	V/Hz	400 / 50	
Pressing force	max. kN	250	300
Cycle time	s	24	29
Pressing time	s	13	14
Fill opening W x H	cm	120 x 67	
Height above ground	cm	94	
Split fill opening W x H	cm	107 x 26	
Height above ground	cm	131	
Width	cm	160	
Depth	cm	130	
Height***	cm	317	
Weight	kg	2180	2180
Ejected bale*			
W x H x D	approx. cm	120 x 80 x 80 – 110	
Bale weight*	kg	250 – 320	270 – 360

* Bale height is adjustable ** Depends on the pressed material *** Transport height 224 cm



Press-Systems for the volume reduction of recycling material

Maschinenfabrik Bermatingen GmbH & Co. KG · Germany
 Kesselbachstr. 2 · 88697 Bermatingen · Tel. +49 (0) 75 44 95 06-0
 service@DIXI-Ballenpressen.de · www.baler.tv